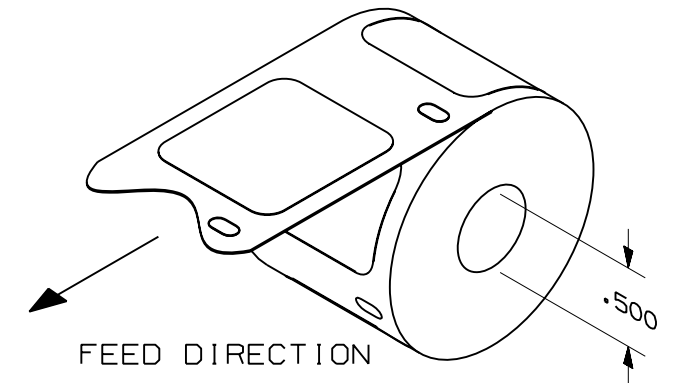


DETAIL A
SCALE 2X



- NOTES:
1. SEE MFG. DRAWING NO. A61314.
 2. THE DIMENSIONS IN [] ARE IN MILLIMETERS.

PANDUIT PART NO.	MATERIAL	A	B	C	E	LABELS/ROLL
C150X030Y1C	GM Y2	1.13	0.300	1.500	0.250	100
C195X040Y1C	GM Y2	0.85	0.400	1.950	0.300	100
C261X035Y1C	GM Y2	0.85	0.350	2.610	0.265	75
C282X030Y1C	GM Y2	0.85	0.300	2.820	0.305	75
C288X040Y1C	GM Y2	0.85	0.400	2.875	0.250	75
C390X030Y1C	GM Y2	0.85	0.300	3.900	0.350	50
C750X050Y1C	GM Y2	0.85	0.500	7.500	0.250	30
C788X050Y1C	GM Y2	0.85	0.500	7.875	0.250	30

							CAD FILENAME/LAYERS I00743NE_C10454_CxxxXxxxY1C_00.prt	
							PANDUIT CORP TINLEY PARK, ILLINOIS	
							CUSTOMER DRAWING LSB COMPONENT LABELS C***X***Y1C (SMALL LABEL GAP)	
							UNLESS OTHERWISE SPECIFIED, DIMENSIONAL TOLERANCES ARE: (.X) ± .030 (,.XXX) ± .005 (.XX) ± .015 ANGLES ±	UNLESS OTHERWISE SPECIFIED, ALL DIMENSIONS ARE GIVEN IN INCHES, THIRD ANGLE PROJECTION
1	5-11-07	PSG		ADDED NEW PART NUMBER C150X030Y1C			4987	R
0	8-29-06	RVU		DRAWING RELEASE			4670	R
REV	DATE	BY	CHK	DESCRIPTION			ECN - R	CUST SUP
							DRAWN BY RVU	MAT'L: SEE TABLE
							DATE 8-29-06	SCALE NTS
							CHK'D	DRAWING NO. C10454
								DWG B SIZE